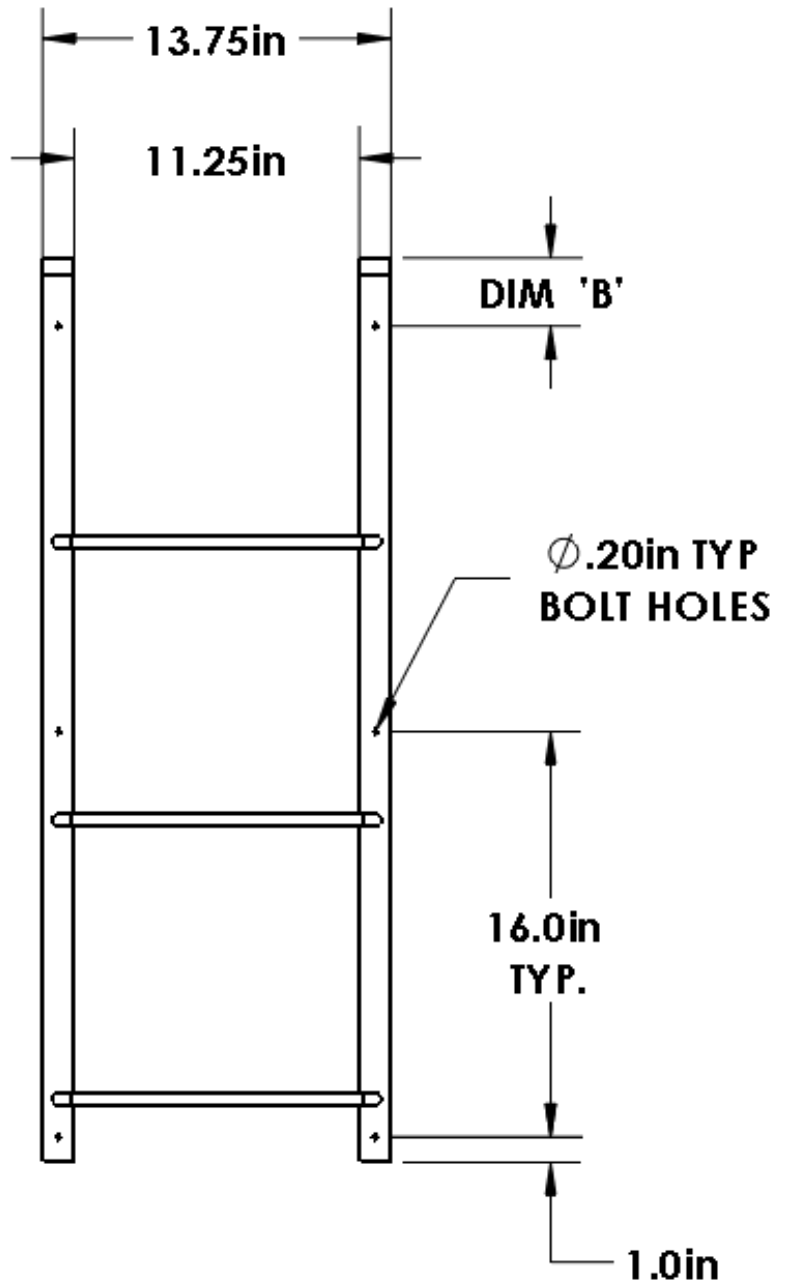
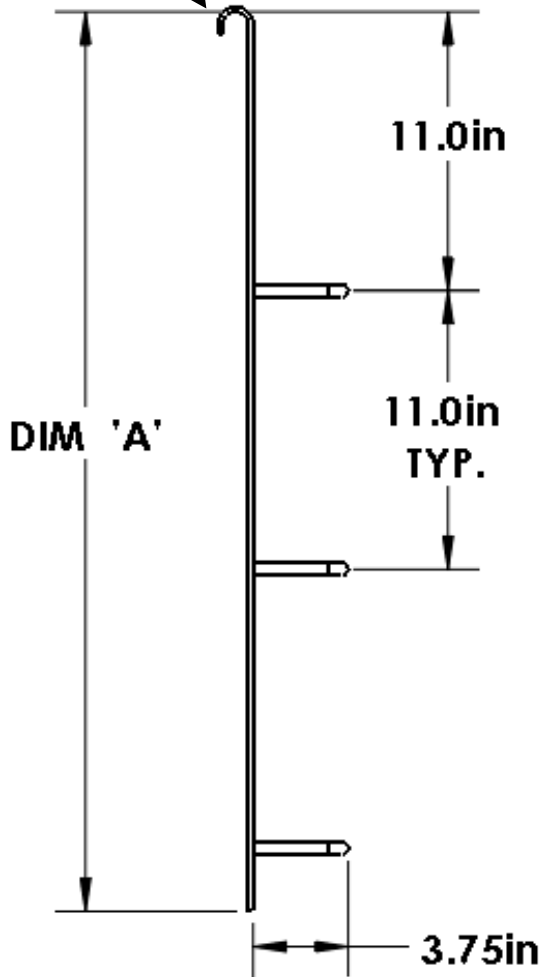


HOOKS ONTO TOP LIP  
OF WINDOW WELL



Ladder Size	Dim 'A' [in]	Dim 'B' [in]
3 Rung	35.5	2.7
4 Rung	46.5	13.7
5 Rung	57.5	8.7
6 Rung	68.5	3.7
7 Rung	79.5	14.7

Material: Powder-coated Steel

Rung Spacing: 11.0in

Hole Spacing: 16.0in

Hole Diameter: 0.20in

Screw Size\*: #10 (3/16in)

*\*Ladder is installed by placing top hooks over top lip of window well. Screws are optional and can be used to further stabilize the ladder, if desired.*