

Screw Mount Back Panel With Clips Installation Instructions

NOTE: TO PREVENT DAMAGE DURING INSTALLATION, DO NOT REMOVE PROTECTIVE FILM FROM COVER UNTIL INSTALLATION IS COMPLETE. RETURNS CANNOT BE ACCEPTED ONCE PROTECTIVE FILM HAS BEEN REMOVED.

Included in kit:



Cover assembly



#8 x 0.75"
Philips sheet metal screws



Back Panel



Quick-release Clips



Masonry Anchors



Philips panhead screws

What you will need:

Philips Screwdriver



For installation to concrete or brick:

Drill



Hammer

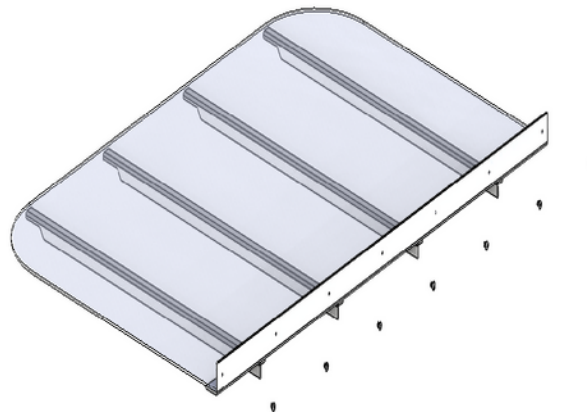


3/16" Masonry drill bit

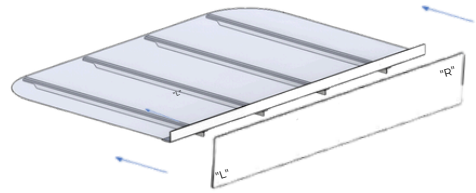


Installation:

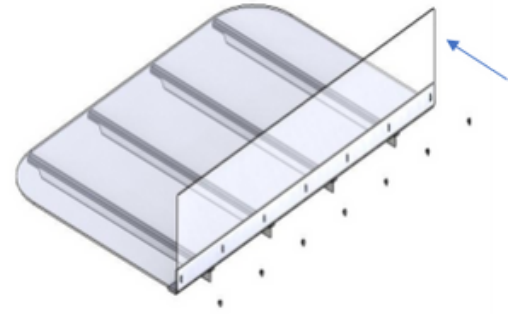
STEP 1: Remove all panhead screws from back bar and set aside.



Step 2: Align the left side "L" and right side "R" of back panel with the left side "L" and right side "R" of well cover.



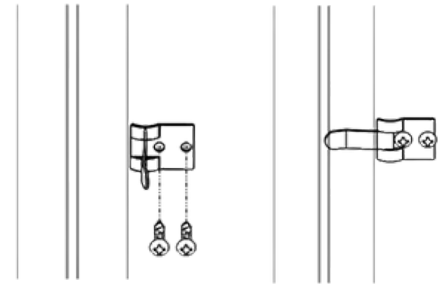
STEP 3: Align slots in back panel with holes in back bar and secure with screws from STEP 1.



STEP 4: Continue with Window Well Cover installation. (See separate installation instructions)

Note: Step 4 must be completed before moving on to step 5

Step 5: Quick-release clips are provided to secure the back panel to the house. Flip the quick-release clips to the open position and align with the side of the back panel. Mark both clip hole locations and use screws provided to attach clip to house. Repeat clip installation on opposite side. Once clips are installed, flip the quick-release clips to closed position.



Note: If assembling quick-release clips to concrete or brick, use a 3/16" masonry bit to drill each clip hole to a 1½" depth. Use a hammer to insert masonry anchors provided and then screw the clips into the anchors in the concrete/brick.