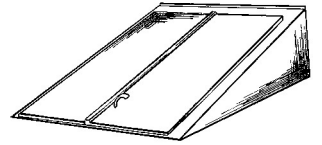


P.O. Box 364 Franksville, WI 53126

(262) 633-3707

www.windowwellsupply.com



Steelway KD Cellar Door with Extension Installation Instructions

Add extension to assembled frame, then follow the KD Cellar Door Installation Instructions.

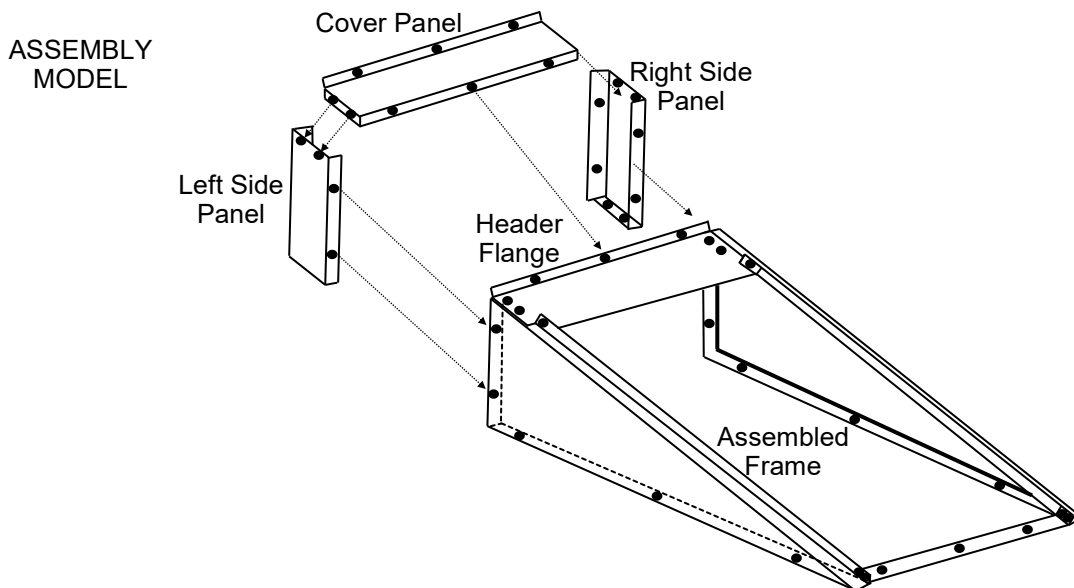
STEP 1:

Position the side panel with the open end facing up (see model). The wide flange will be against the building during installation. Attach the front flange to the back of the assembled frame using the 1/4" - 20 x 1/2" bolts and nuts.

Repeat Step 1 for second side.

STEP 2:

Place the cover panel so it overlaps side panels and header flange. Attach the pieces using the 1/4" - 20 x 1/2" bolts and nuts, with bolt heads facing out.



INCLUDED HARDWARE:

(11) 1/4" - 20 x 1/2" Bolts
(11) 1/4" - 20 nuts

(11) #12 x 1-1/4" screws
(11) Plastic anchors