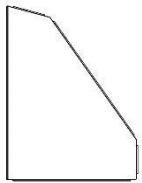


Window Well Atrium Installation Instructions

NOTE: TO PREVENT DAMAGE DURING INSTALLATION, DO NOT REMOVE PROTECTIVE FILM FROM COVER UNTIL INSTALLATION IS COMPLETE. RETURNS CANNOT BE ACCEPTED ONCE PROTECTIVE FILM HAS BEEN REMOVED.

Included in kit:



Atrium left panel



Phillips Screwdriver

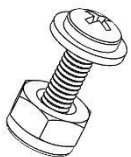


What you will need:



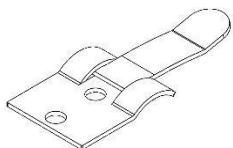
Marker

For installation to concrete or brick



#8/32-0.75 Phillips pan

head screw, flat washer and nylon-insert nut



Quick release clips



Masonry Anchors

For installation to concrete or brick wall, you will also need:

3/16" Masonry drill bit

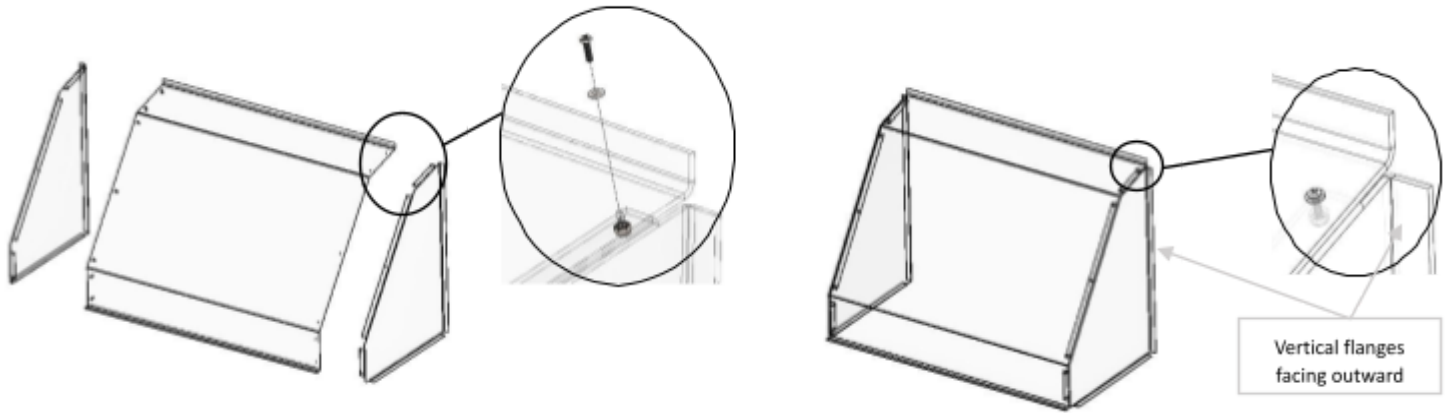
Hammer



Installation:

STEP 1:

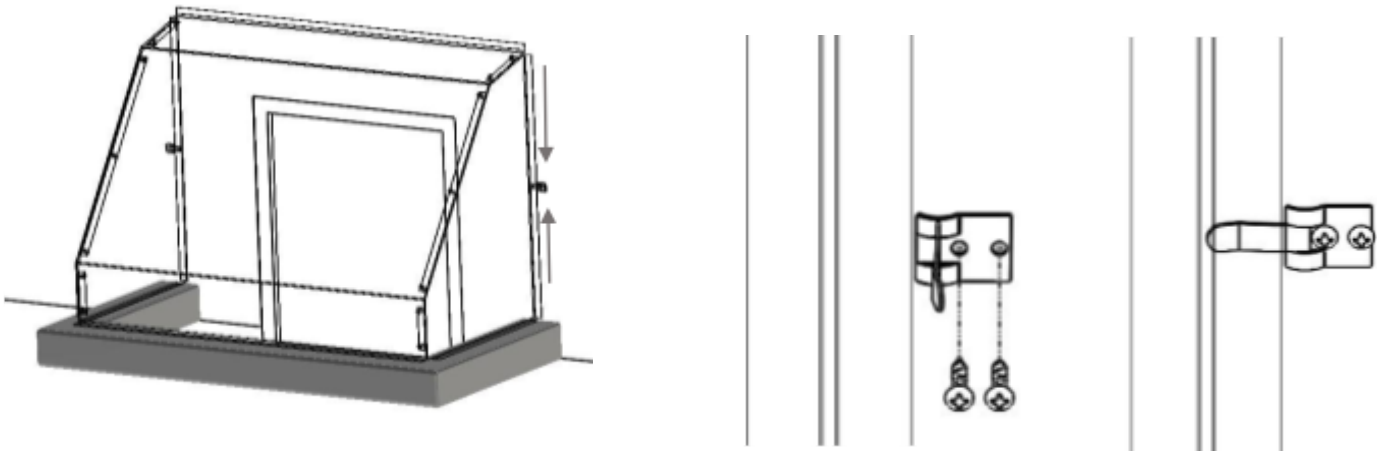
Assemble the left and right panels to the front panel using the screws, washers and nylon-insert nuts provided. Ensure that the vertical flanges on each side panel are facing outward.



STEP 2:

Center atrium on well. Flip quick connect clip to open position and align with atrium side flange, near the center of the flange. Mark both clip hole locations and use screws provided to attach clip to wall. Repeat clip installation on opposite side.

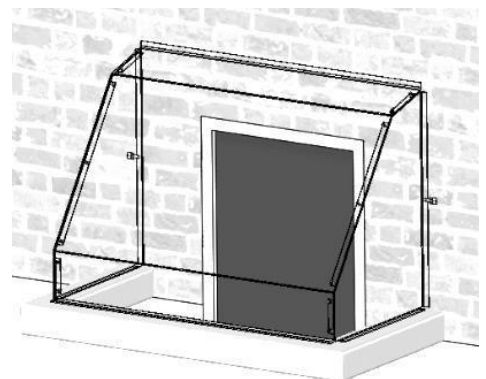
If assembling clip to concrete or brick, use a 3/16" masonry bit to drill each clip hole to a 1 1/2" depth. Use a hammer to insert masonry anchors provided and then screw the clips to the anchors in the concrete/brick.



STEP 3:

Flip both quick connect clips to closed position.

*Your window well atrium
installation is now complete!*



For questions, please call Window Well Supply Customer Service, Monday through Friday, 8:00AM – 5:00PM CST at (262) 633-3707.