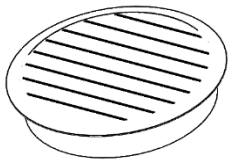


Cover Vent Installation Instructions

Included in kit:



Aluminum Cover Vent(s)

What you will need:

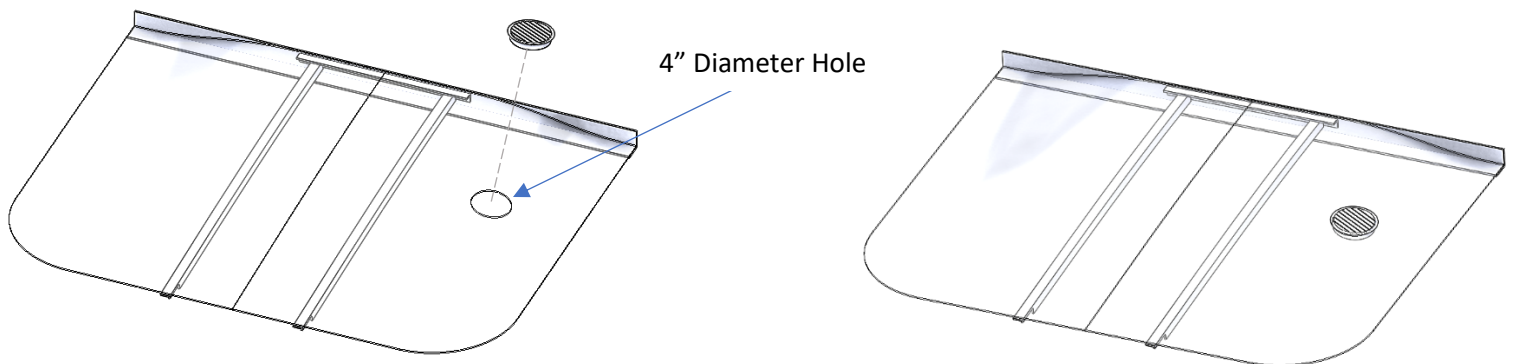


Drill with 4" hole saw

Installation:

STEP 1:

Drill a 4" hole through polycarbonate in the desired vent location.
Snap vent into hole until the vent flange is flush with the top of the cover.



Your cover vent installation is now complete!

For questions, please call Window Well Supply Customer Service
Monday through Friday, 8:00AM – 5:00PM CST at (262) 633-3707.